



# MEDICAL O<sub>2</sub> N<sub>2</sub> H<sub>2</sub> GAS

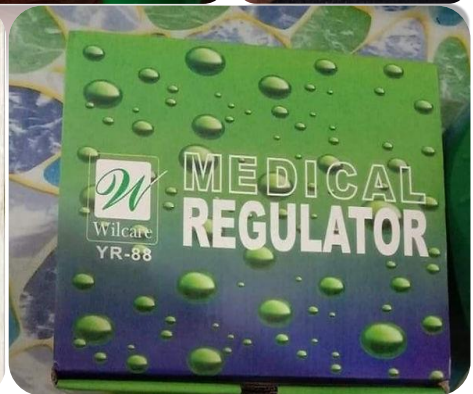
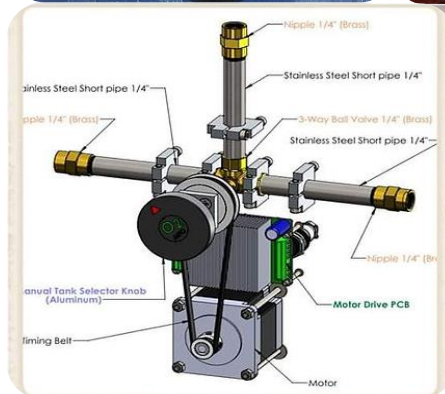


## Bulk Liquid Gaseous Delivery

### MEDICAL O<sub>2</sub> VALVE REGULATORS

#### NEEDS ANALYSIS & DESIGN DEVELOPMENT

- Reformer Design,
- Fueling Design,
- Fuel Storage and Delivery Systems,
- Heating System Design,
- Fuel Cell Systems,
- Engines Systems,
- Safety System Design,
- Monitoring Design,
- Operation and Maintenance Planning.



#### DESIGNED FOR 2020 & BEYOND

ISO9001-2015



GJB9001B-2009 (MIL)

**Secure Supplies** Product/s Meet Customers Demands.

Authorized Representative



Website

<https://www.secure.supplies/order-gas-bottles-o2-h2-n2-no2>

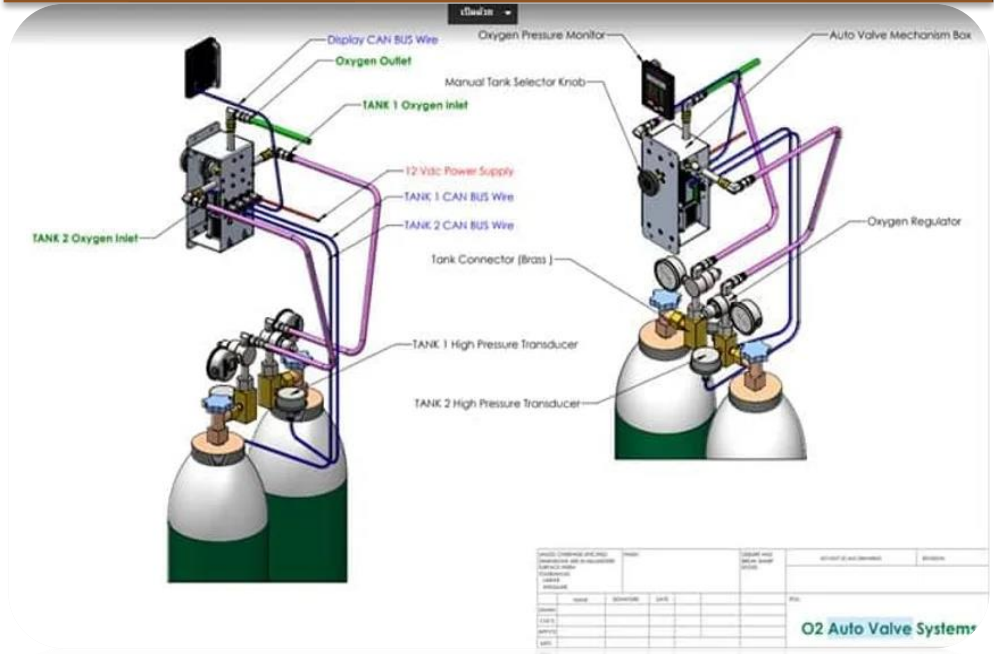


# MEDICAL O<sub>2</sub> N<sub>2</sub> H<sub>2</sub> GAS



## Bulk Liquid Gaseous Delivery

### MEDICAL O<sub>2</sub> VALVE REGULATORS



### NEEDS ANALYSIS & DESIGN DEVELOPMENT

- Reformer Design,
- Fueling Design,
- Fuel Storage and Delivery Systems,
- Heating System Design,
- Fuel Cell Systems,
- Engines Systems,
- Safety System Design,
- Monitoring Design,
- Operation and Maintenance Planning.

### DESIGNED FOR 2020 & BEYOND

ISO9001-2015



GJB9001B-2009 (MIL)

**Secure Supplies** Product/s Meet Customers Demands.

Authorized Representative



Website

<https://www.secure.supplies/order-gas-bottles-o2-h2-n2-no2>

